

**The tabscorer** is a simple jig that makes it relatively easy to score a line 1cm. from the edge of a piece of card. The card to be scored is pushed under the grip strip until the edge appears in one or both of the peepholes. Then a hard but blunt metal scoring tool is pulled firmly along the guide slot.

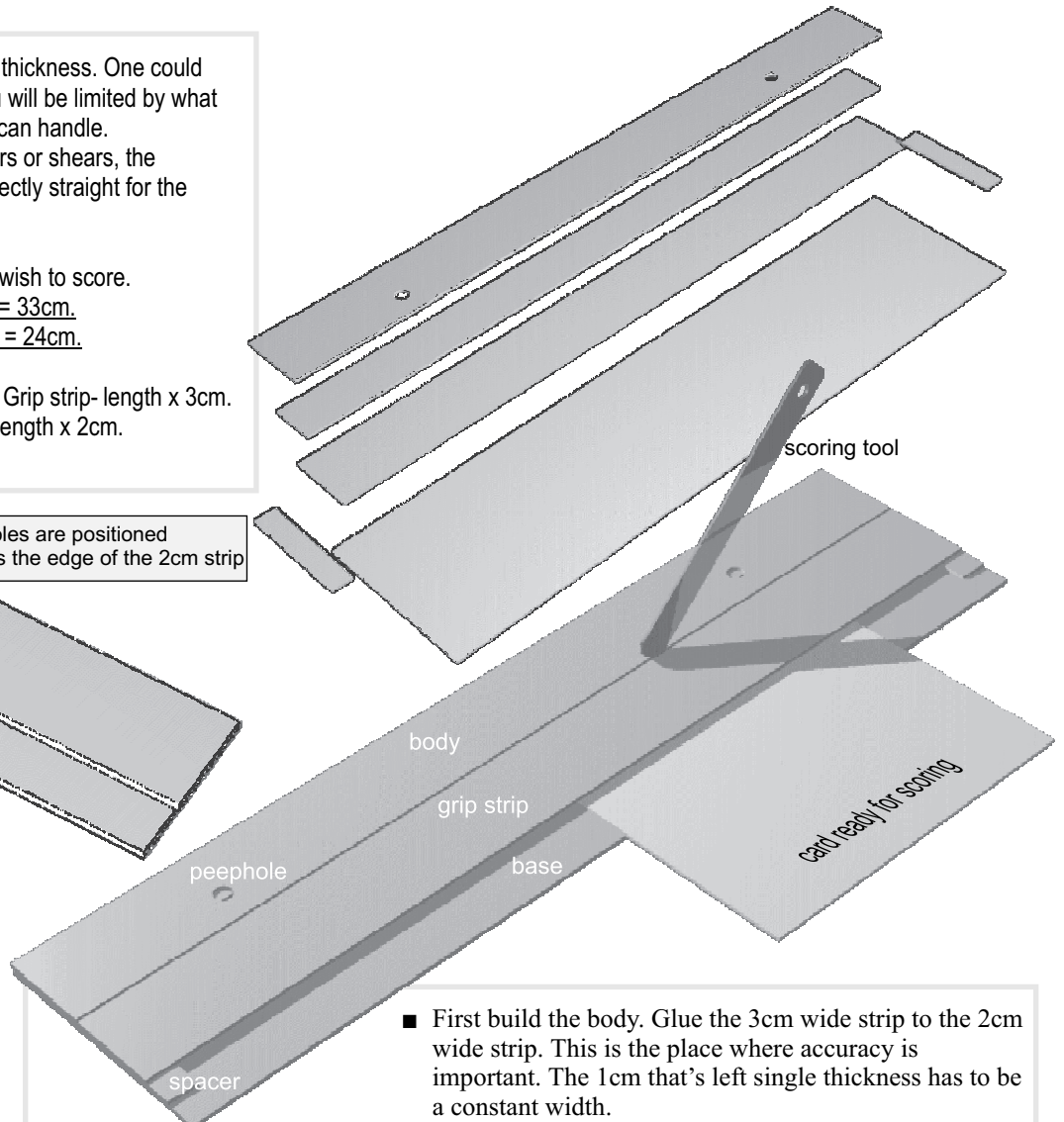
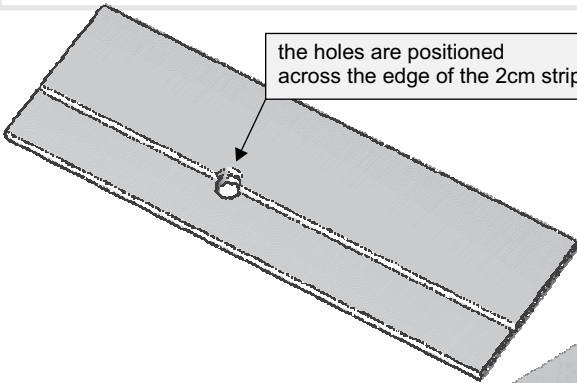
This system makes it possible for young children, certainly as young as P3, to score card successfully. The tabscorer itself is easy to make, but it does need to be made accurately if it is to be of any use. Make two sets in P7; one for P7 and the other for the rest of the school!

Use any stiff card of reasonable thickness. One could say as thick as possible, but you will be limited by what your paper trimmer or guillotine can handle. Don't try to cut strips with scissors or shears, the important edges need to be perfectly straight for the tabscorer to work properly.

Length = how long a length you wish to score.  
 For A4 (long side) make length = 33cm.  
 For A5 (long side) make length = 24cm.

Base - length x 8cm.      Grip strip- length x 3cm.  
 Body - length x 3cm. + length x 2cm.  
 Spacers (2)- 6cm x 1cm

the holes are positioned across the edge of the 2cm strip



- First build the body. Glue the 3cm wide strip to the 2cm wide strip. This is the place where accuracy is important. The 1cm that's left single thickness has to be a constant width.
- Punch the holes. Use a heavy duty hole punch if you have one. Place the holes across the overlap edge as shown in the diagram.

- Turn the body over and glue to the base. Do not let any glue get into the overlap space as this is where the card being scored will be eventually.
- Slide the two spacers under the overlap at each end and glue in place.
- Glue the grip strip to the spacers leaving a narrow gap between the body and the strip. It's along this slot that the tool is drawn.

The tool can be the problem. It needs to be thin, hard and blunt. An old table knife will do the job, as will a small terminal screwdriver. The proper tool is a bone folder which you can find in some catalogues.

We use thin pieces of steel strip which we round off with a file and emery cloth.

