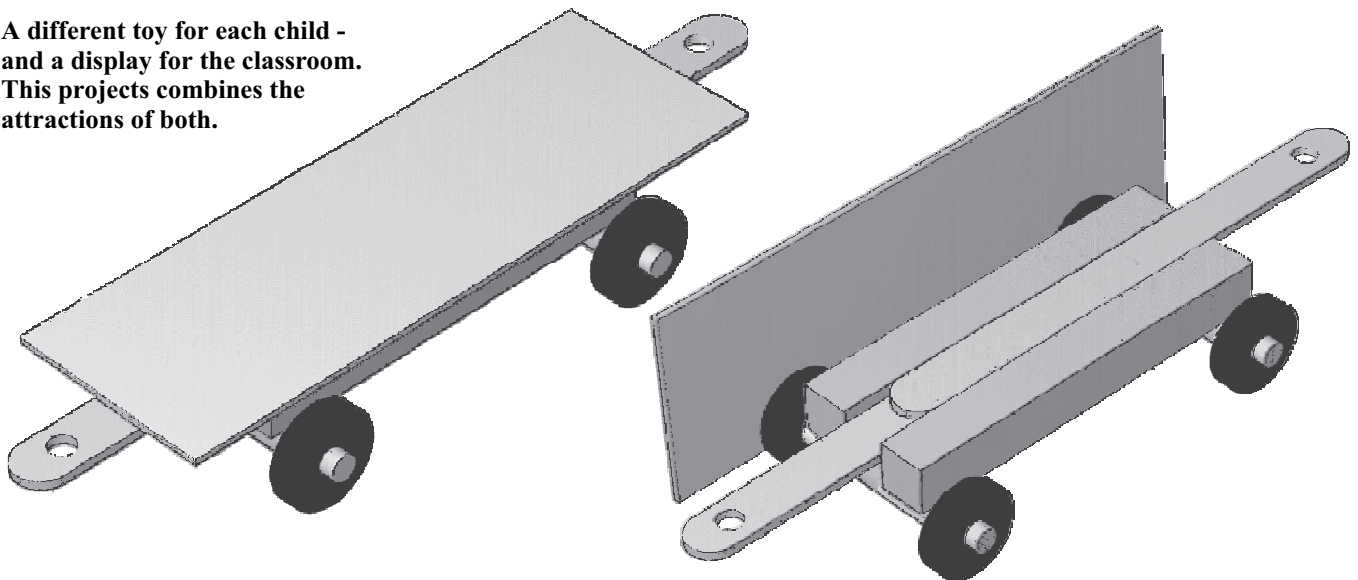


A different toy for each child - and a display for the classroom. This projects combines the attractions of both.



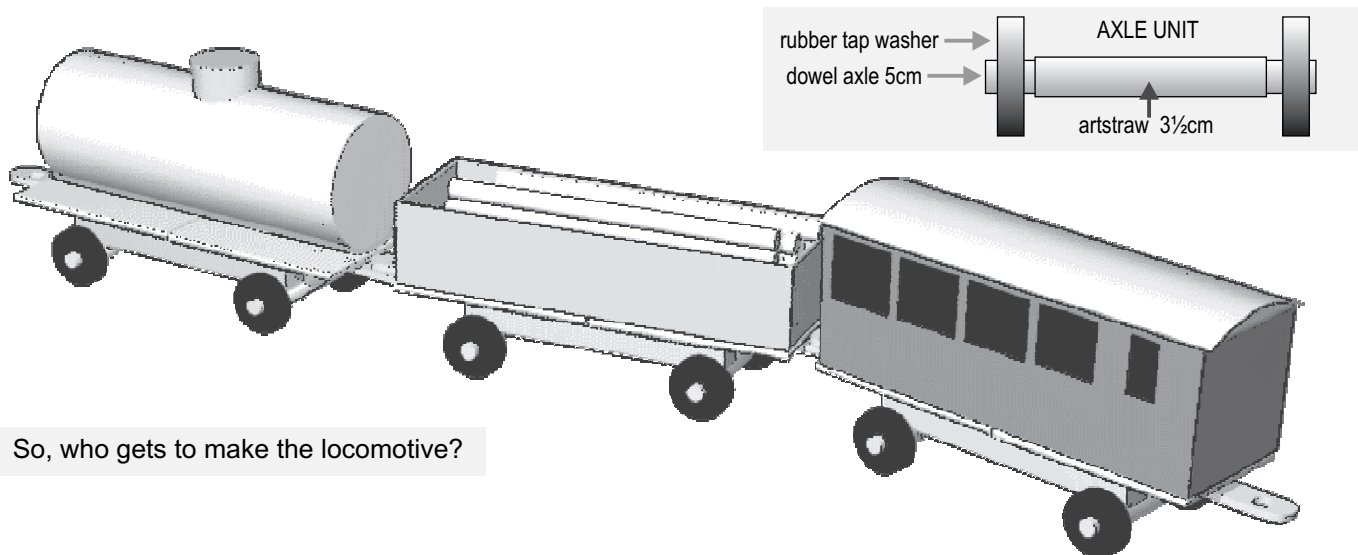
This project has been designed to allow every child to contribute equally to a class project. It is possible to make a train with one carriage or truck for each child. After the train has fulfilled its classroom purpose, every child will be able to take possession of his or her own, personal, contribution.

- The base card is 12cm x 4cm. Cut one for each pupil from fairly thick card. All the early construction is done on this card - but upside down. Punch a hole near the end of a lolly stick and glue it along the centre line of the card, with the end with the hole projecting about 4cm past the end of the card.
- Now glue a second punched lolly stick on top the first. This one projects from the other end.
- Glue two pieces of wood, 8cm. long, either side of the lolly sticks. This completes the chassis.
- Make up two wheels and axle units. Each unit consists of two rubber tap washers, a length of dowel or paper stick 5cm. long and a length of jumbo artstraw or plastic drinking straw 3½cm long.
- Glue the two axle units across the pieces of wood. Use PVA 'blobs' and secure in place with a small piece of masking tape. Make sure the axles are perpendicular to the centre line of the chassis. If you are using plastic straws they will need to be covered, (see page 16).

When the whole thing is turned right way up you will notice that the protruding ends of the lolly sticks are not the same height. This is deliberate - it means that you can link individual trucks together with a brass paper fastener and the wheels will stay on the ground.

Now is the time for each child to design and make whatever goes on the top of the card. Illustrated below are a box wagon, a passenger carriage and a tanker. All can be made from card and scrap material.

- **Why not make a theme- train? Perhaps it's a circus train, or the zoo is on the move, or maybe it's carrying sweets from Willie Wonker's Factory.**



So, who gets to make the locomotive?