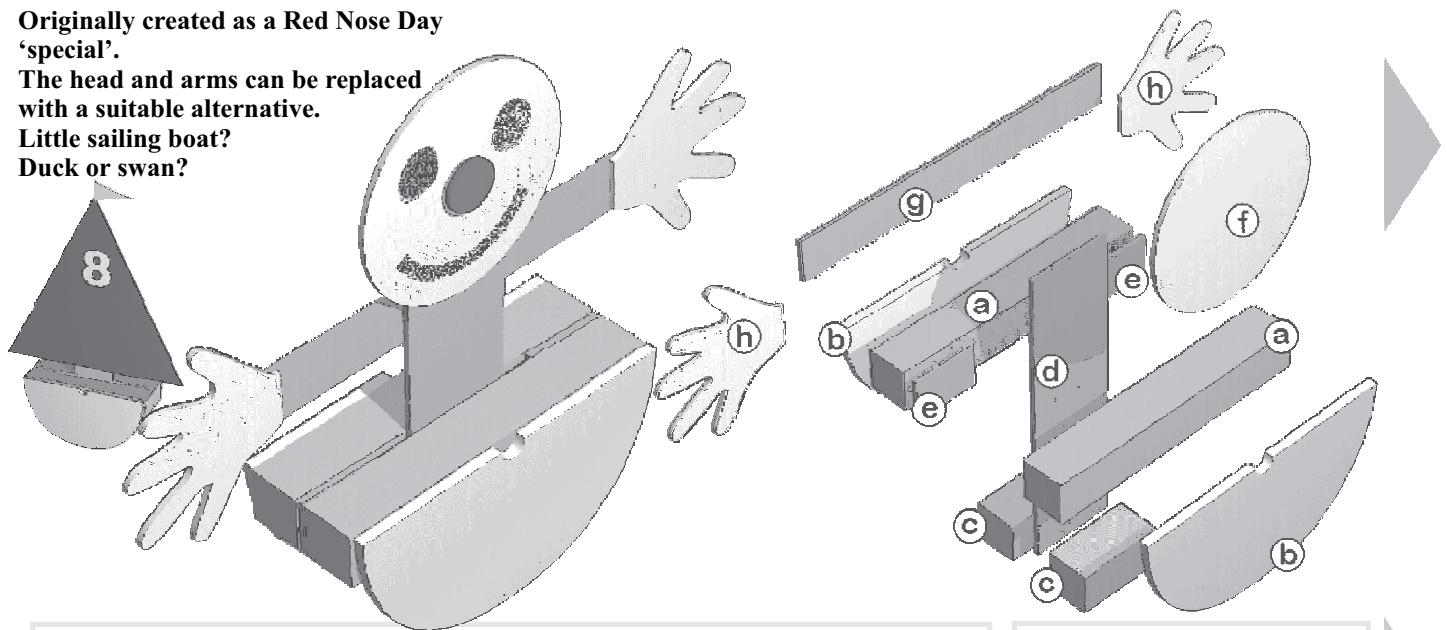


Originally created as a Red Nose Day 'special'.

The head and arms can be replaced with a suitable alternative.

Little sailing boat?  
Duck or swan?



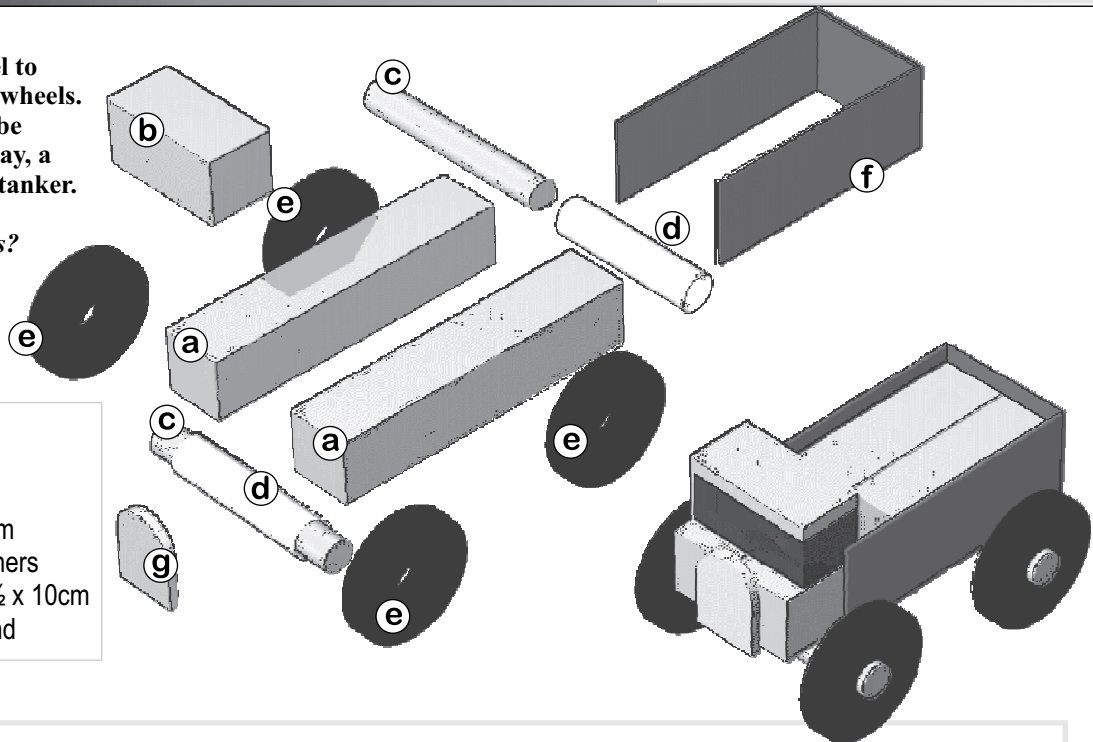
- Provide the half discs (b) and ask the children to cut 2 pieces of wood to fit along the straight edge (a).
- Glue the wood together with the small card spacers between forming a slot.
- Fasten the half discs. Do this 'upside down' to help line them up.
- Cut and glue the small wooden blocks (c) to each side of the card rectangle (d).
- Feed the card (d) up through the slot and glue in place. Keep the blocks as low as possible, but don't allow them to project past the edges of the discs.
- Decorate using lightweight card and paper. If the top gets too heavy the rocker won't stand. If the little man's right arm goes down, add something to his left to maintain balance.

- Ⓐ (2) wood 6cm (approx.)
- Ⓑ (2) ½ card discs 63mm dia.
- Ⓒ (2) wood 2cm
- Ⓓ (1) stiff card
- Ⓔ (2) stiff card 1cm square
- Ⓕ thin card
- Ⓖ thin card
- Ⓗ thin card

## 'MONSTER' TRUCK

A good little model to introduce moving wheels. The wrapper can be substituted with, say, a tube, to make it a tanker.

People who help us?



- Ⓐ (2) wood 5cm
- Ⓑ (1) wood 2cm.
- Ⓒ (2) dowel 4cm
- Ⓓ (2) straw 2½cm
- Ⓔ (4) rubber washers
- Ⓕ thin card 1½ x 10cm
- Ⓖ (1) lolly stick end

- Cut the 2 pieces of wood (a) and glue together side by side. Press flat - it will make fitting the axles easier.
- Cut and fit the cab (b) and the card wrapper (f) that forms a shallow 'box'.
- Make up two axle units, *see page 26*, and fit to underside. Remember - sit the straws of the units into a bead of glue, use small pieces of masking tape to keep them in place.
- Fit details such as the radiator, load etc. Windows are best made from black paper (or black PVC tape).