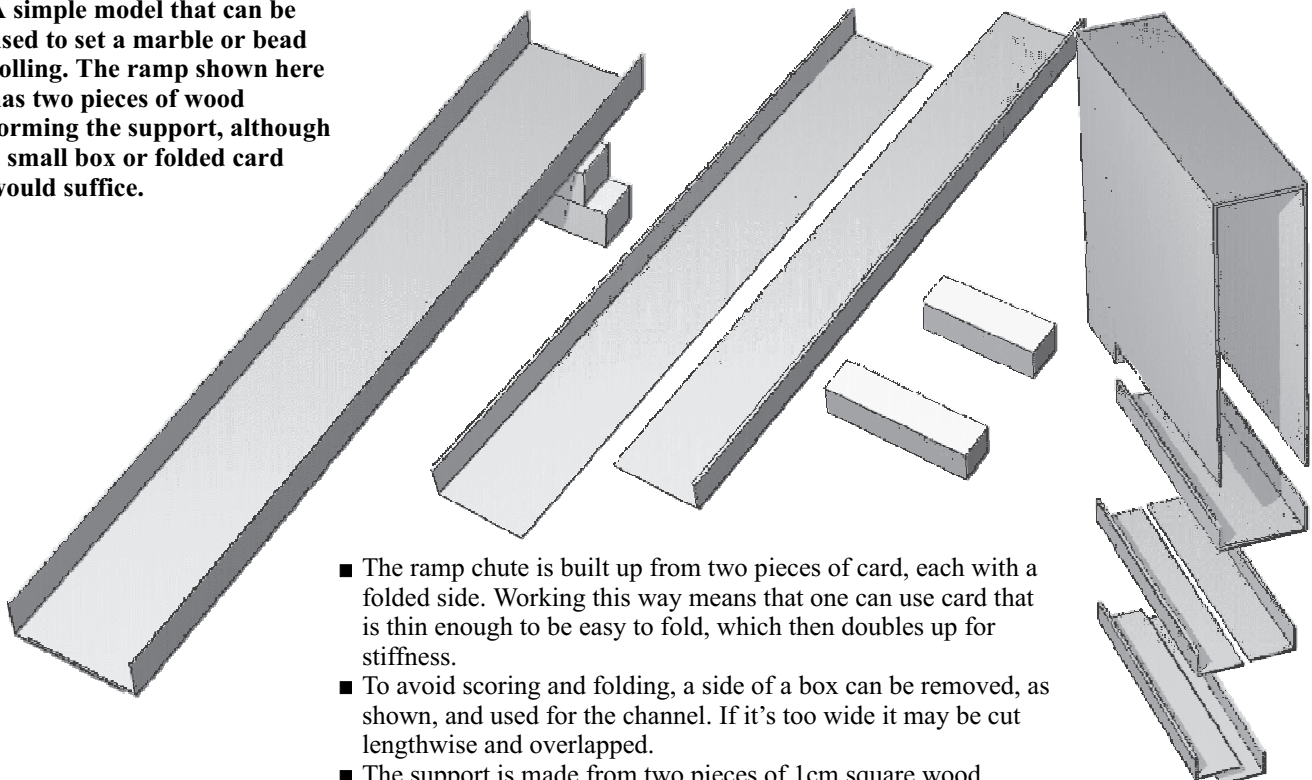


- Cut (or find) the pieces of wood (a) and glue together to form the piers.
- Glue the piers to the card (b) - probably best upside down.
- Cut (or find) the wood for the steps and glue in place.
- Build a duck. Follow the picture or create your own design, but remember that the duck should be able to swim under the bridge.

MARBLE RAMP

A simple model that can be used to set a marble or bead rolling. The ramp shown here has two pieces of wood forming the support, although a small box or folded card would suffice.



- The ramp chute is built up from two pieces of card, each with a folded side. Working this way means that one can use card that is thin enough to be easy to fold, which then doubles up for stiffness.
- To avoid scoring and folding, a side of a box can be removed, as shown, and used for the channel. If it's too wide it may be cut lengthwise and overlapped.
- The support is made from two pieces of 1cm square wood. Three pieces will make the ramp steeper and will make the marble roll (ask the children for a prediction!)